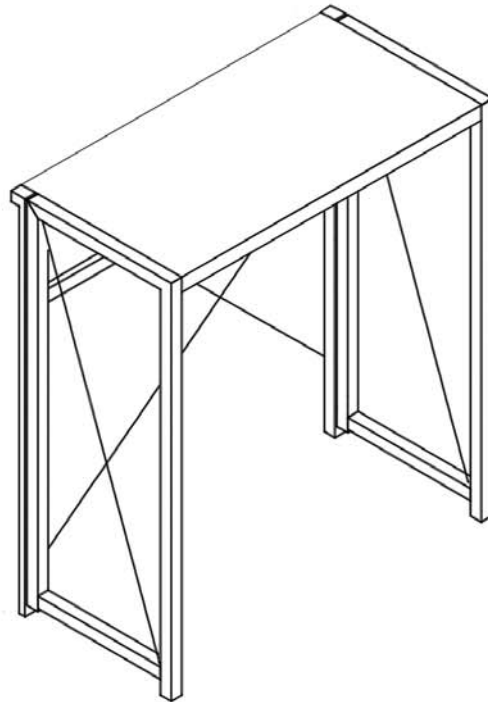


BRAMWELL FOLDING DESK ASSEMBLY INSTRUCTIONS

Thank you for purchasing the Bramwell Folding Desk
Please read the instructions carefully to ensure safe operation of the product.



Size:900x450x740mm
Colour:SONOMA OAK / CONCRETE

PLEASE READ this sheet prior to assembly to familiarise yourself with the various stages of construction.

Carefully open the pack supplied and check the contents against the parts and fittings check list. Do not destroy any of the packaging until you are certain that you have all the necessary parts for the assembly.



BRAMWELL FOLDING DESK ASSEMBLY INSTRUCTIONS

IMPORTANT - READ CAREFULLY - RETAIN THESE INSTRUCTIONS FOR FUTURE REFERENCE.

INFORMATION

- This product is intended for a maximum weight of 30 kg. Do not exceed this weight.
- Due to the size of this product we recommend that it is assembled in the room intended for use.
- When you are ready to start, make sure that you have plenty of space and a clean, dry area for assembly.
- Unwrap all packaging materials and place the components on top of the carton box or on a clean floor to prevent it from scratching.
- Ensure that this product is fully assembled as illustrated before use.
- Check all screws or bolts are tightened and inspect regularly.
- This product should only be used on firm, level ground.
- Make sure the legs remain in contact with the ground.
- Tools not required.

INFORMATION

- DO NOT use this product if parts are missing, damaged or worn.
- DO NOT sit or stand on the desk.

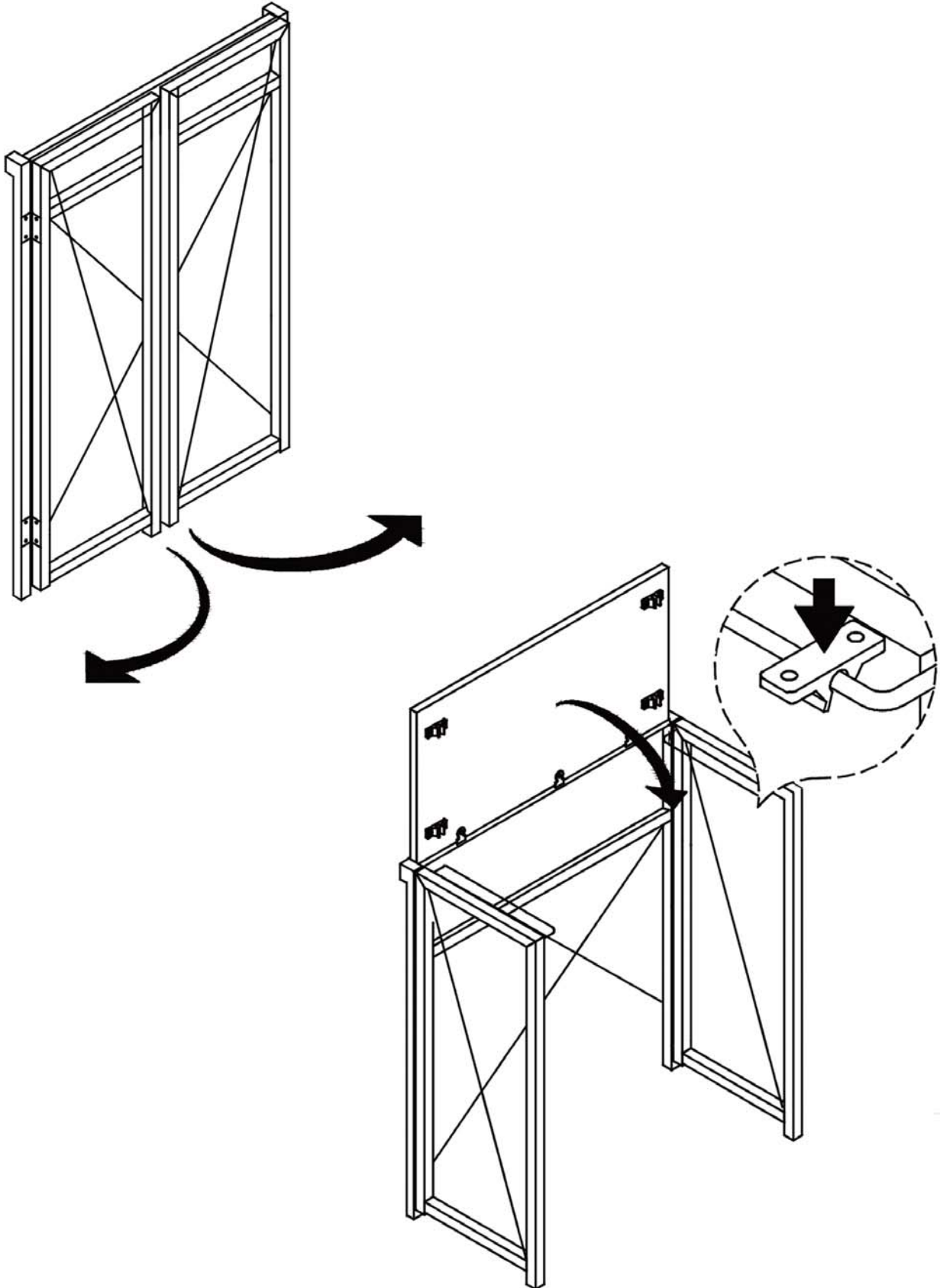
CARE INFORMATION

- Never use scourers, abrasives or chemical cleaners.
- To clean wipe with a sponge and warm soapy water. Do not use solvent based cleaners or detergents as they can bleach or damage the product.
- Do Not place hot items directly onto the desk surface always use a heat resistant mat.

BRAMWELL FOLDING DESK ASSEMBLY INSTRUCTIONS

Please check the pack contents before assembling the product. If any components are missing, please contact your retailer.

STEP 1

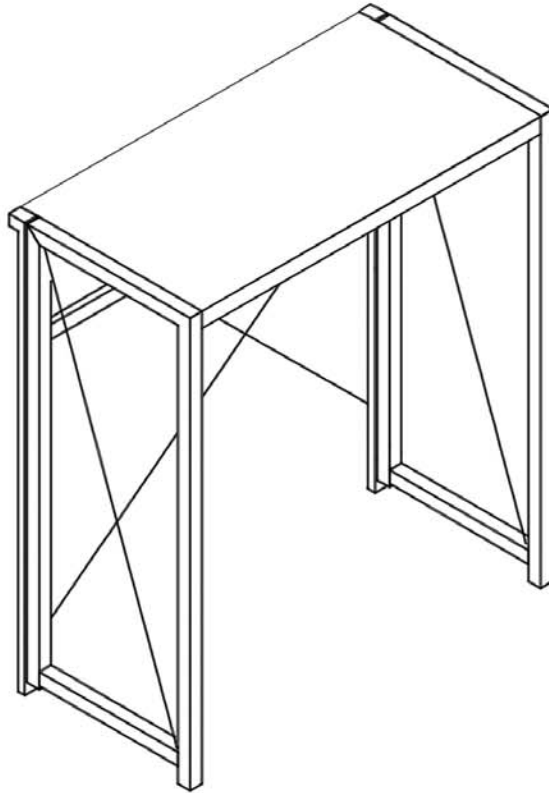


BRAMWELL FOLDING DESK ASSEMBLY INSTRUCTIONS

Complete Assembly

Your BRAMWELL FOLDING DESK is now completely assembled.

Periodically check to ensure that the components are in their proper position, free from damage. Also, make sure the connectors are tight and secure.



Keep instructions for future reference

